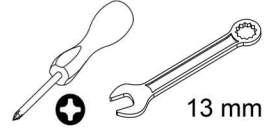
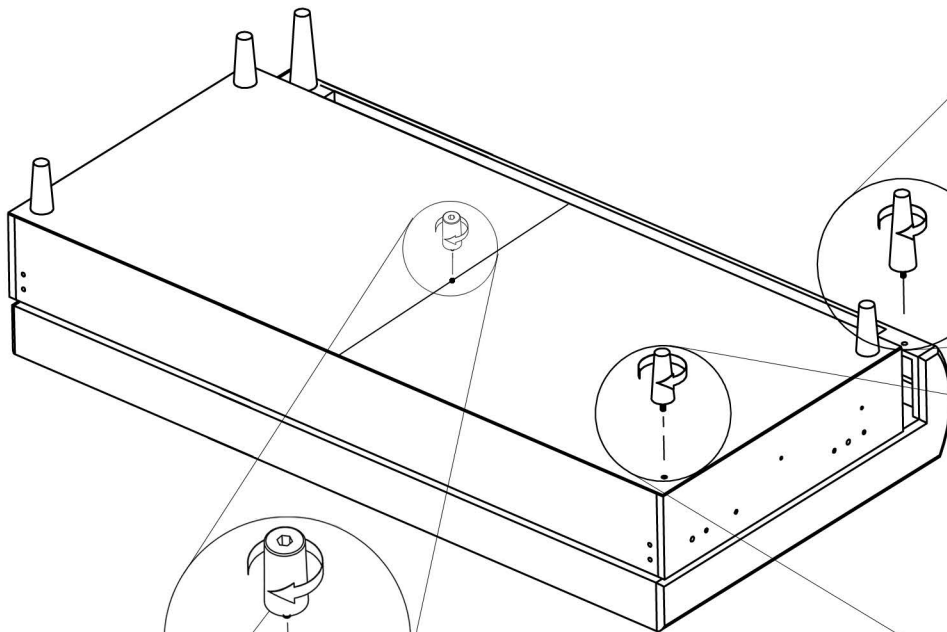
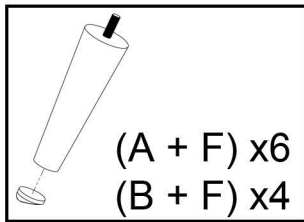


LUMINA

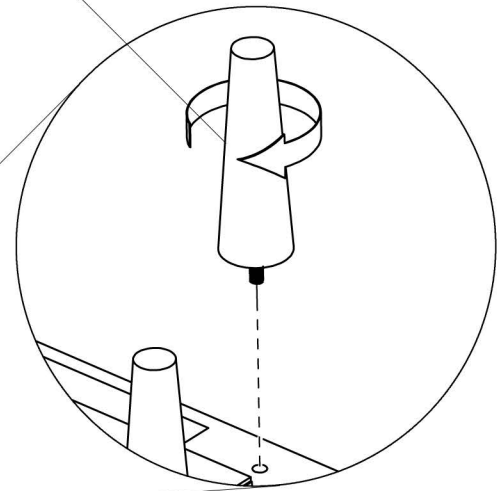


| | | | | | |
|-----------------|-----------------|-----------------|------------------|---------------|----------|
| A H155 x6 | B H100 x4 | C H100 x1 | D M8x70 x4 | E M8 x4 | F x10 |
|-----------------|-----------------|-----------------|------------------|---------------|----------|

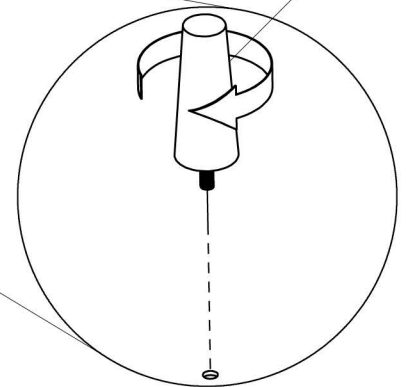
1



(A + F) x2

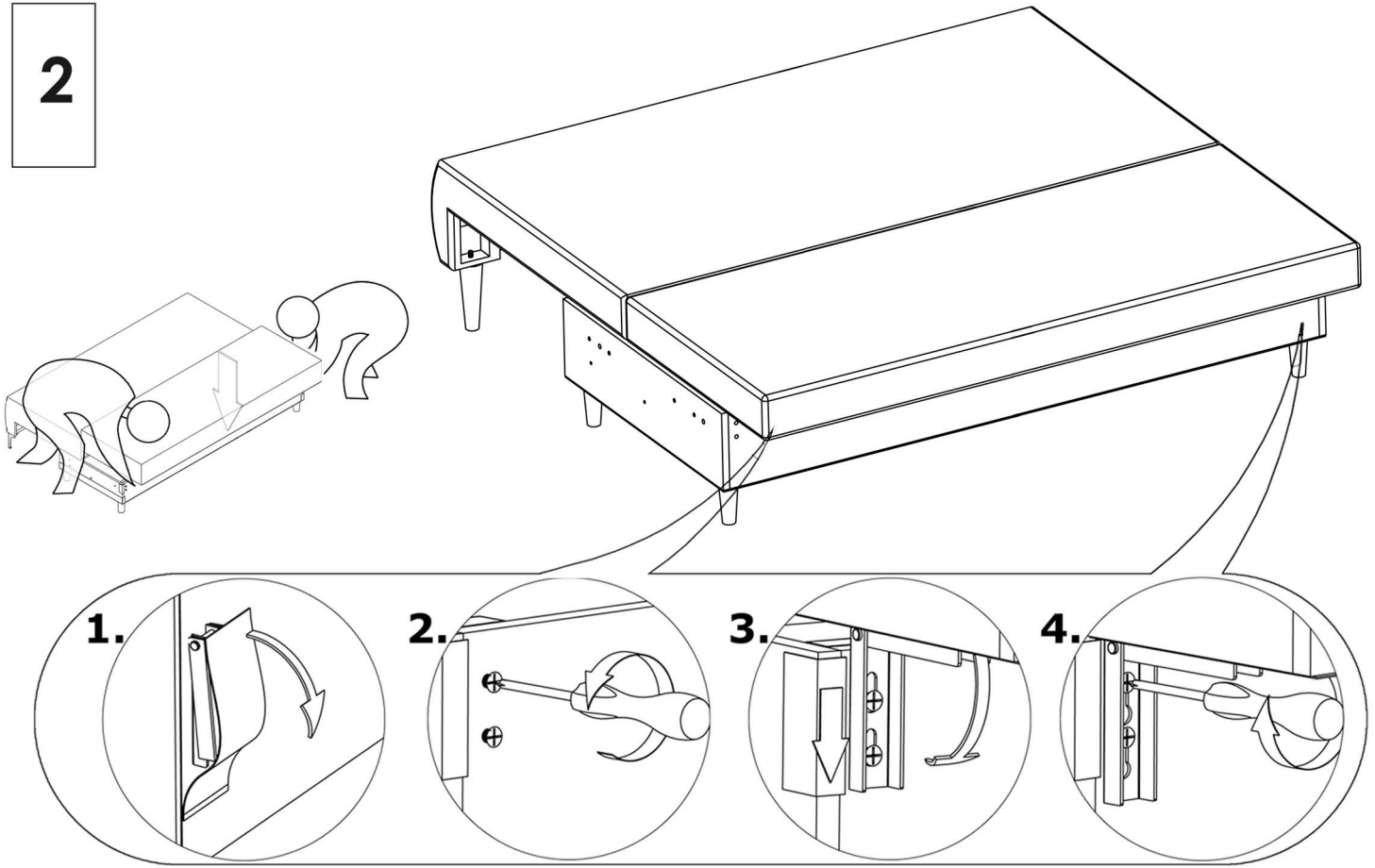


(B + F) x4

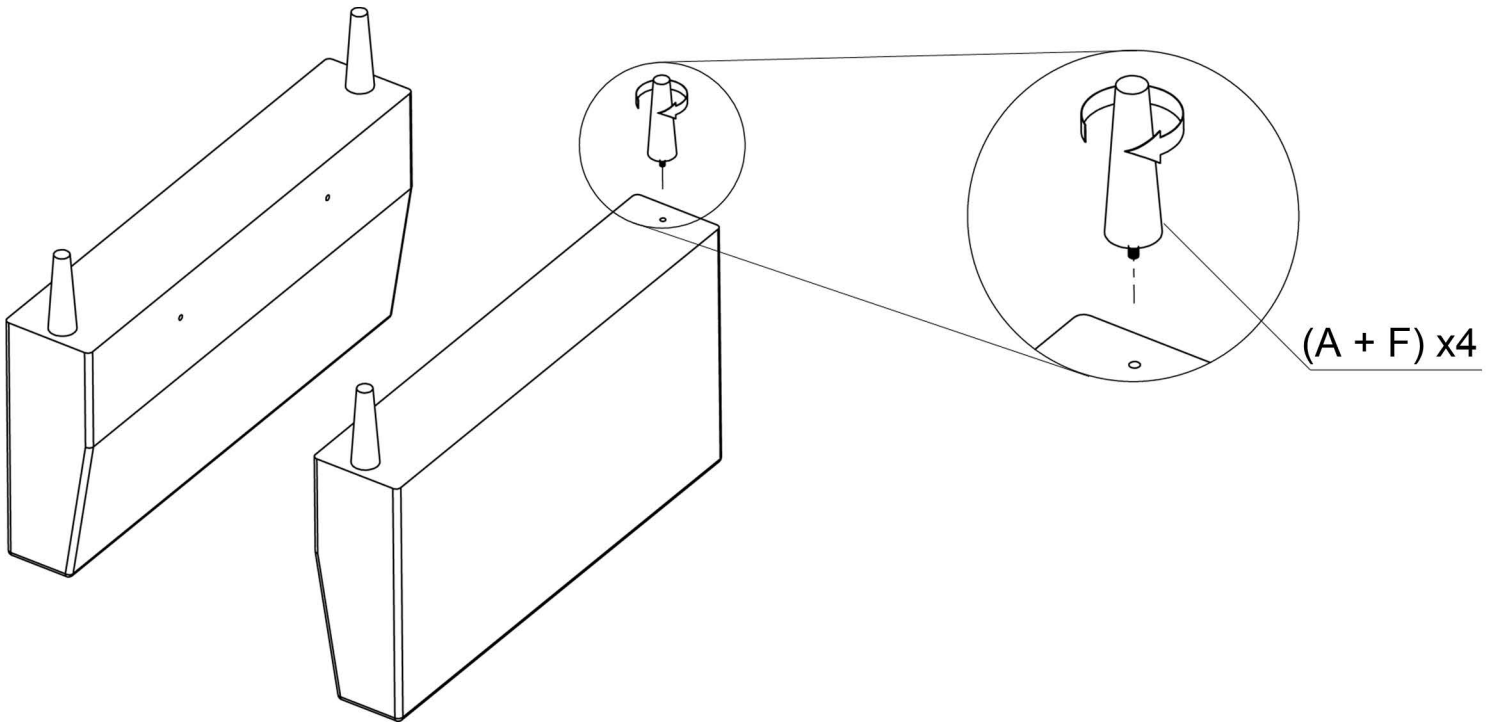


C x1

2



3



4

