
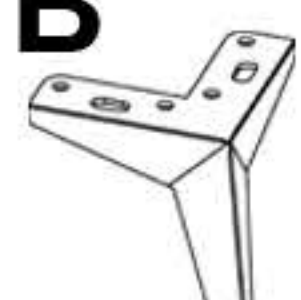
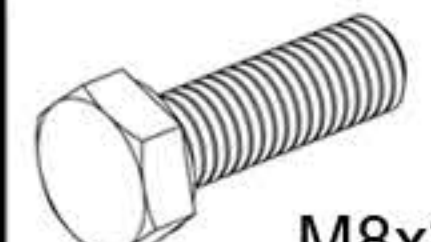
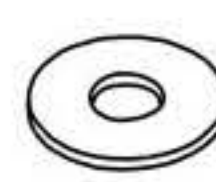
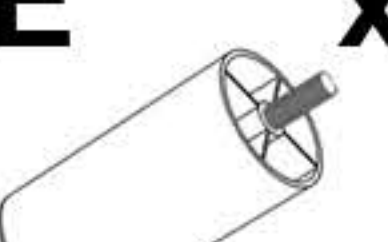
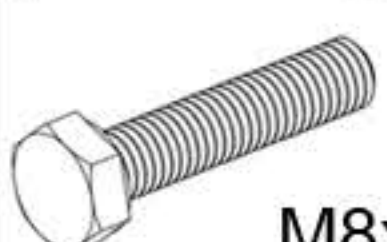
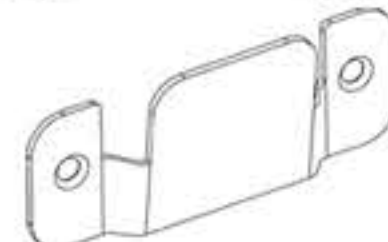

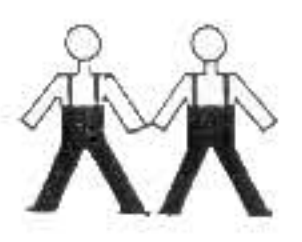


MALIBU

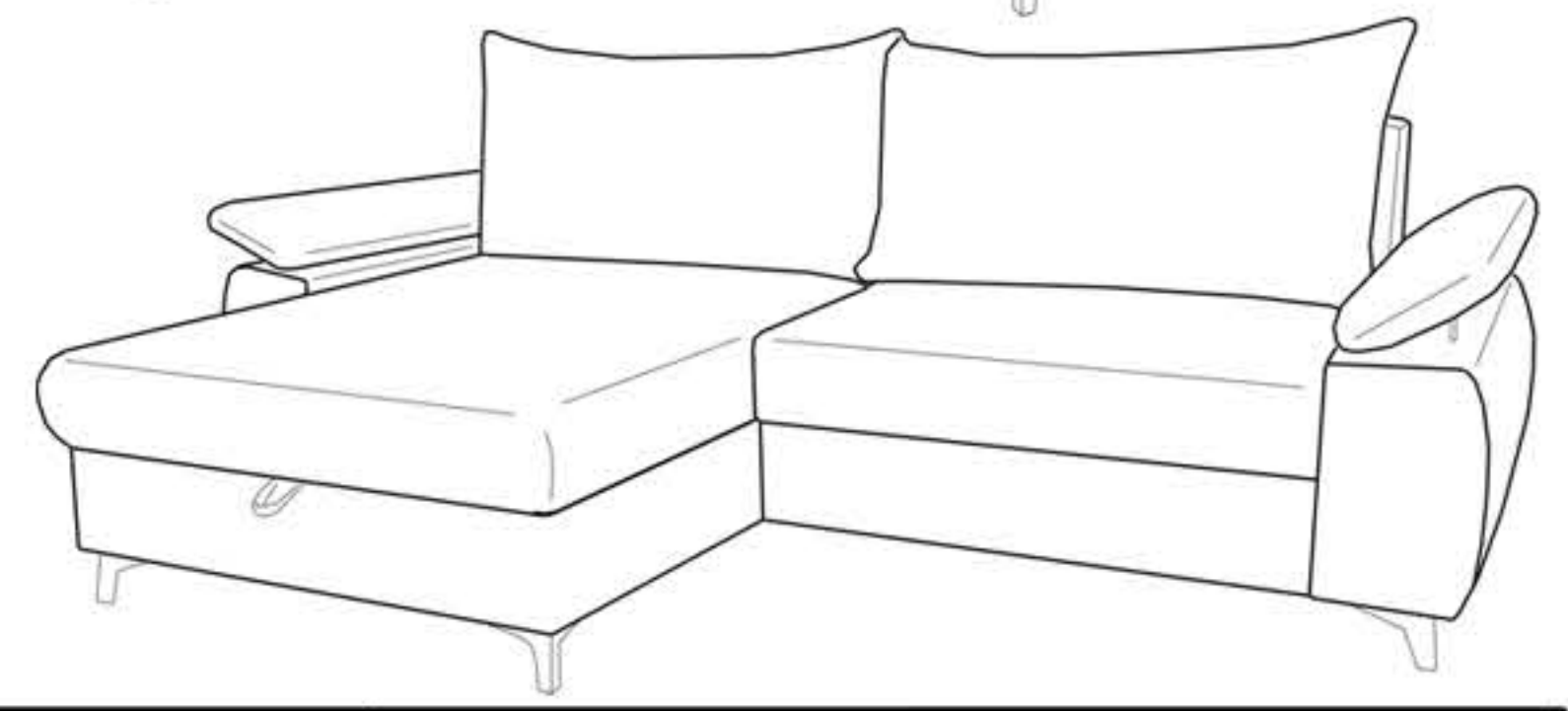
A x2  WDM 8x65	B x3  H100	C x6  M8x25	D x8  M8
E x4  H100	F x2  M8x40	G x4 	H x8 



P



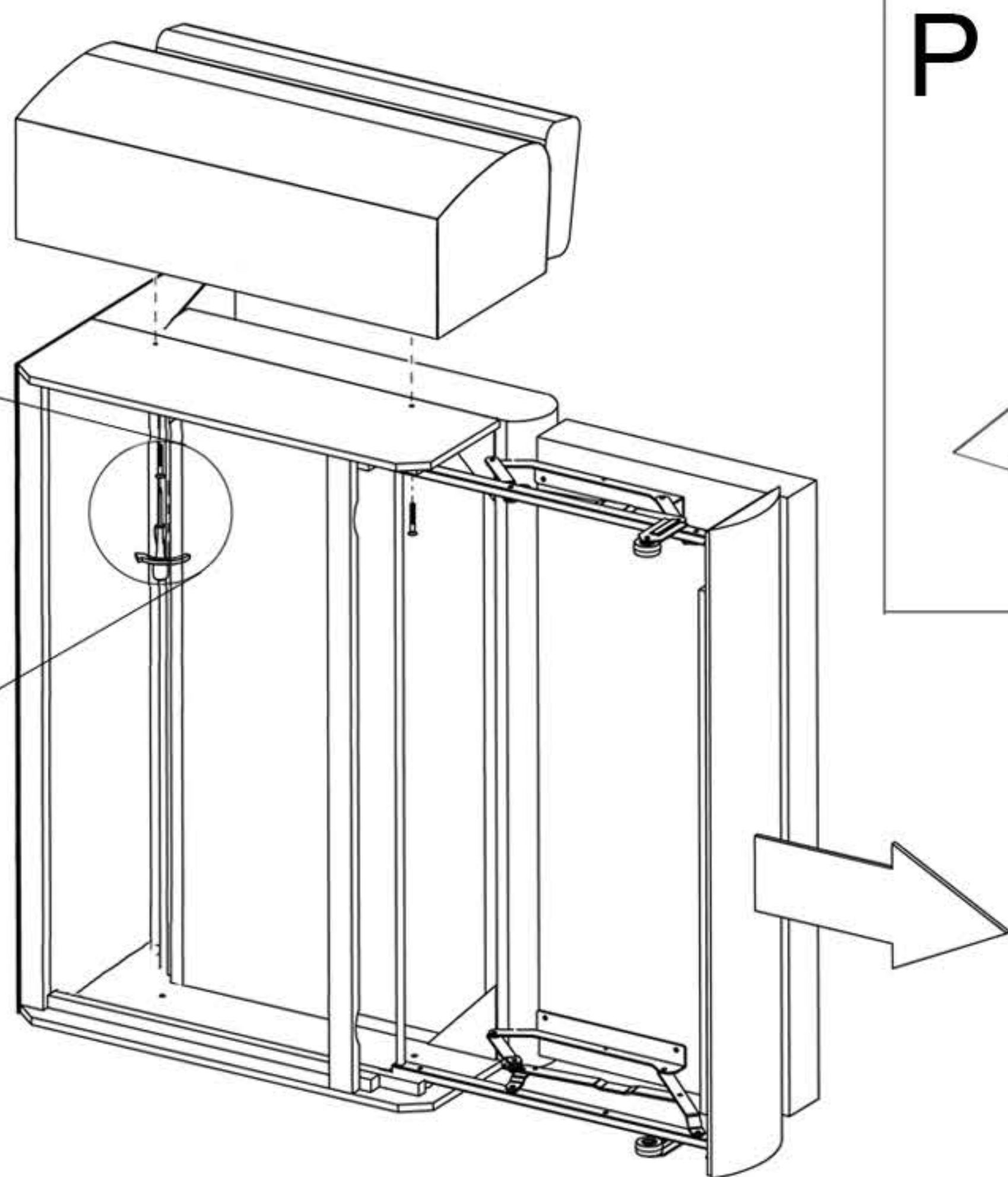
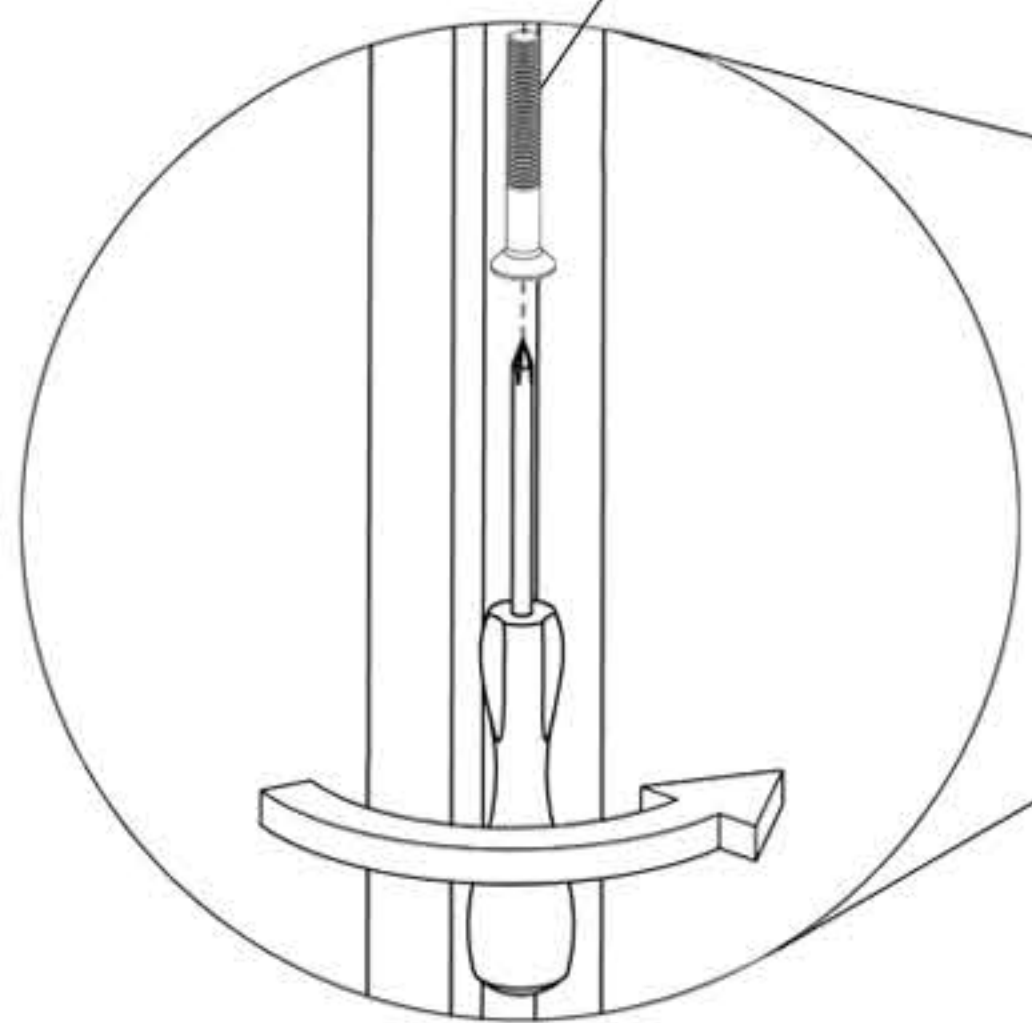
L



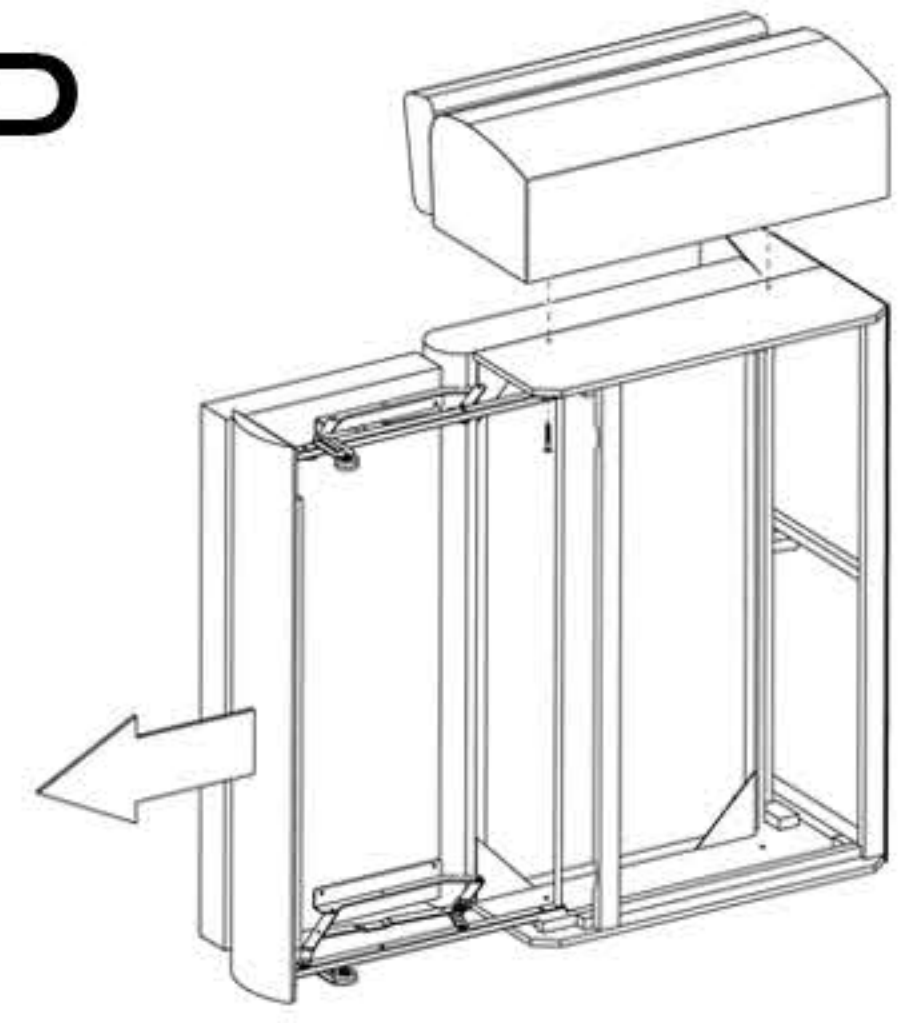
I.

L

A x 2

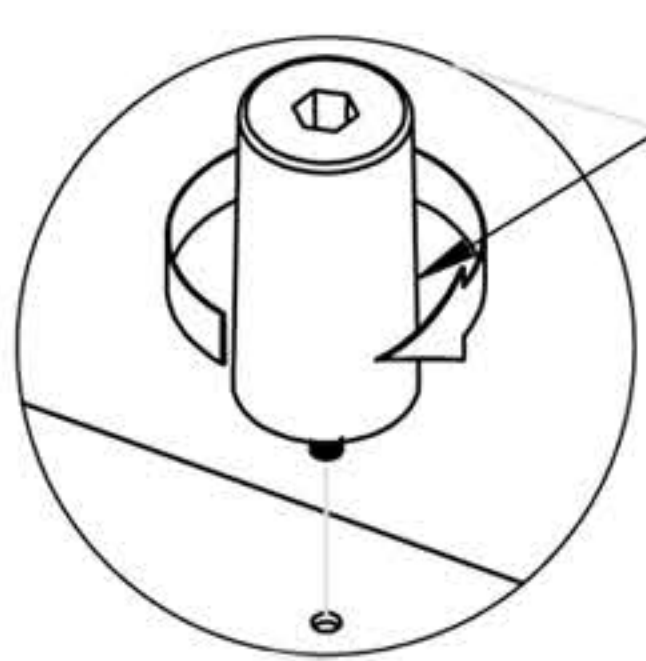


P



II

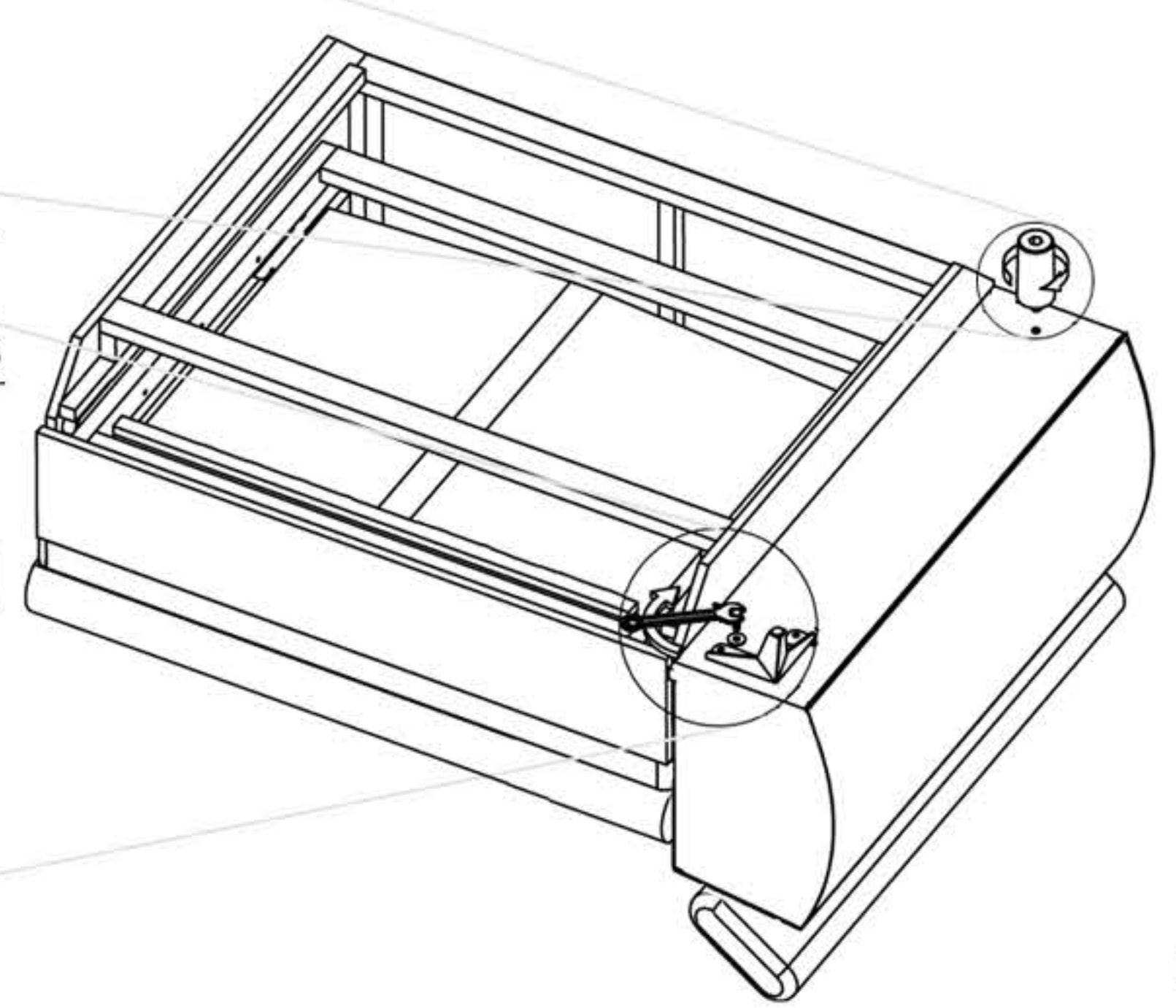
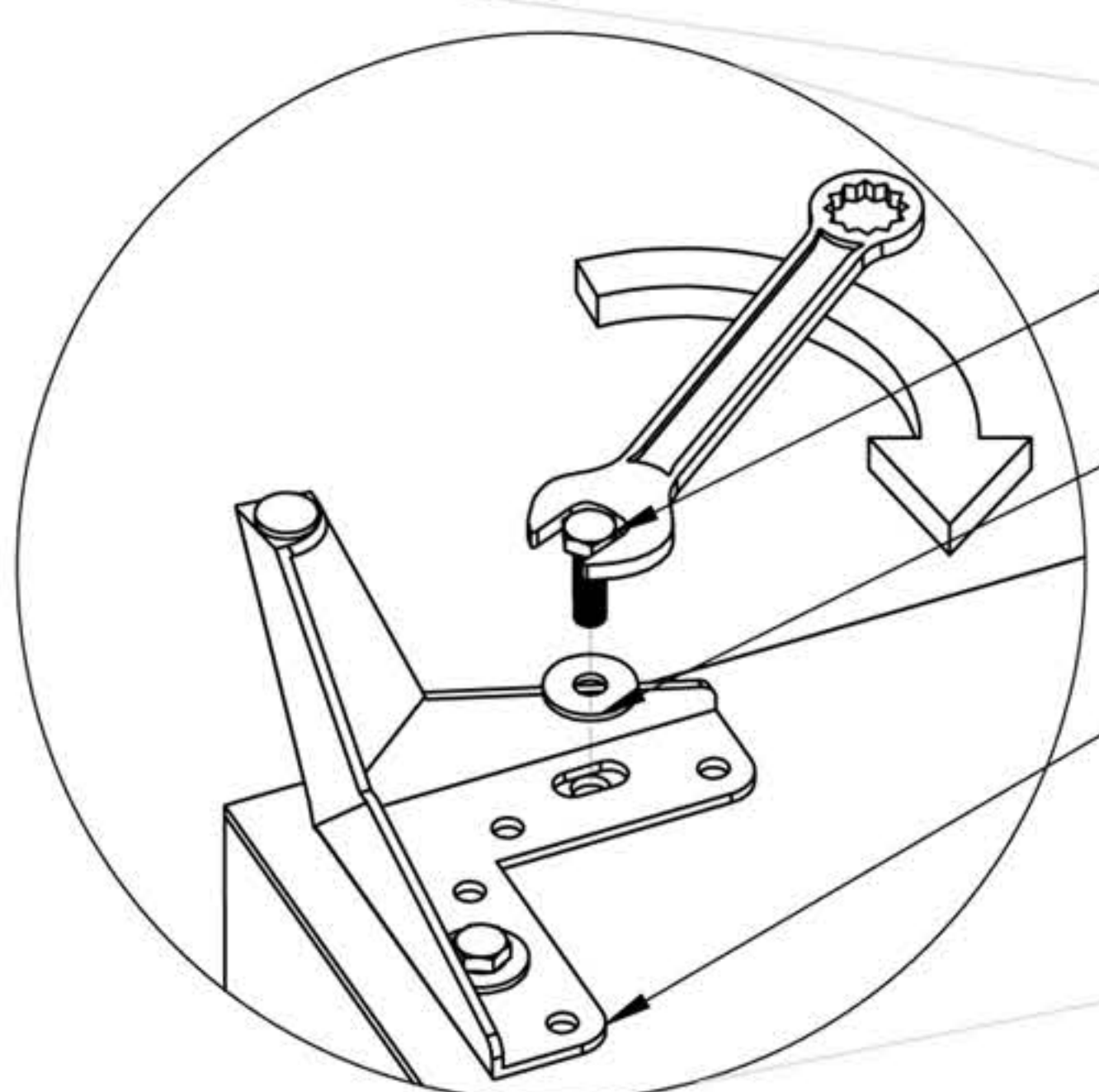
E x 1



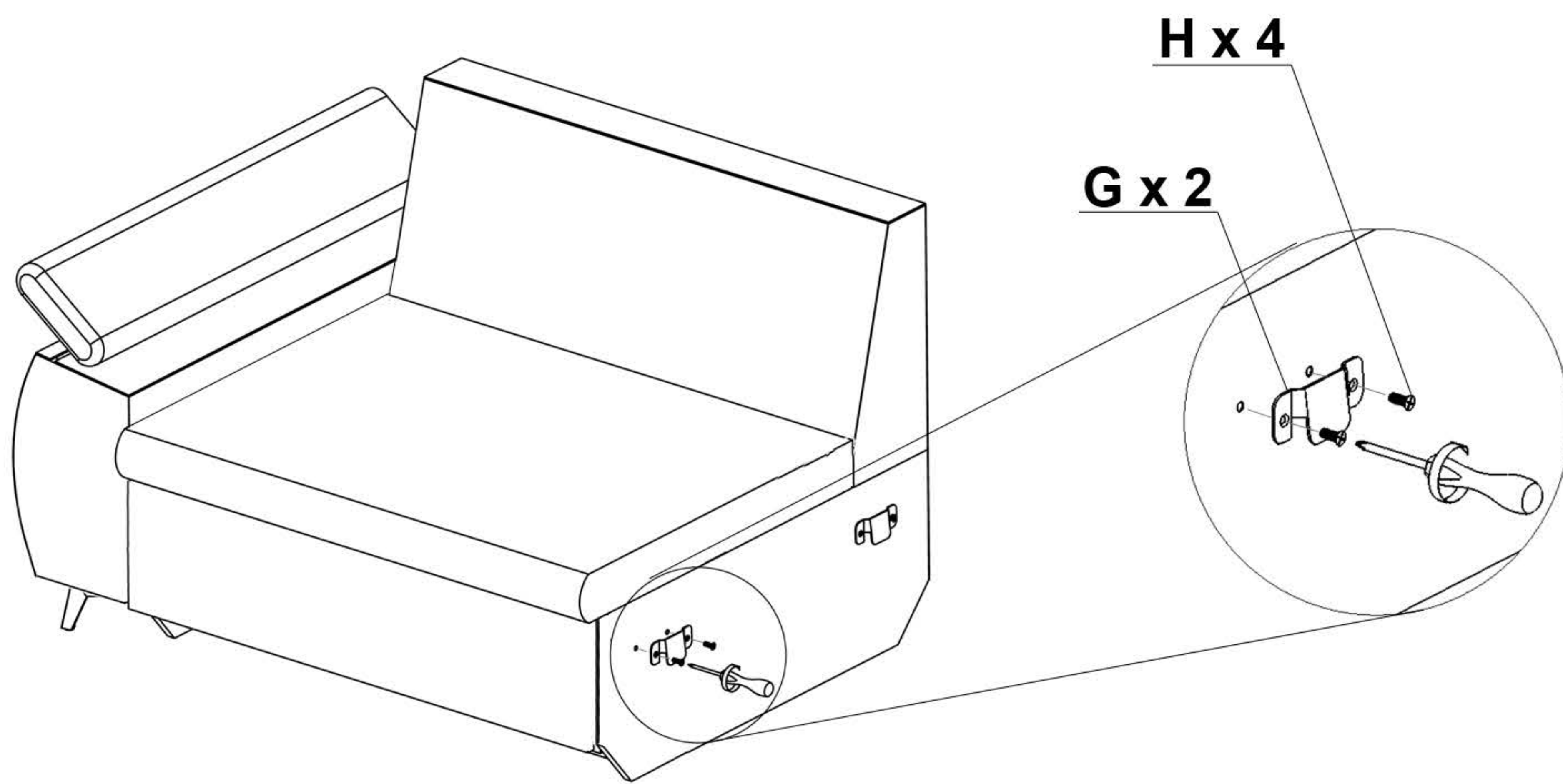
C x 2

D x 8

B x 1

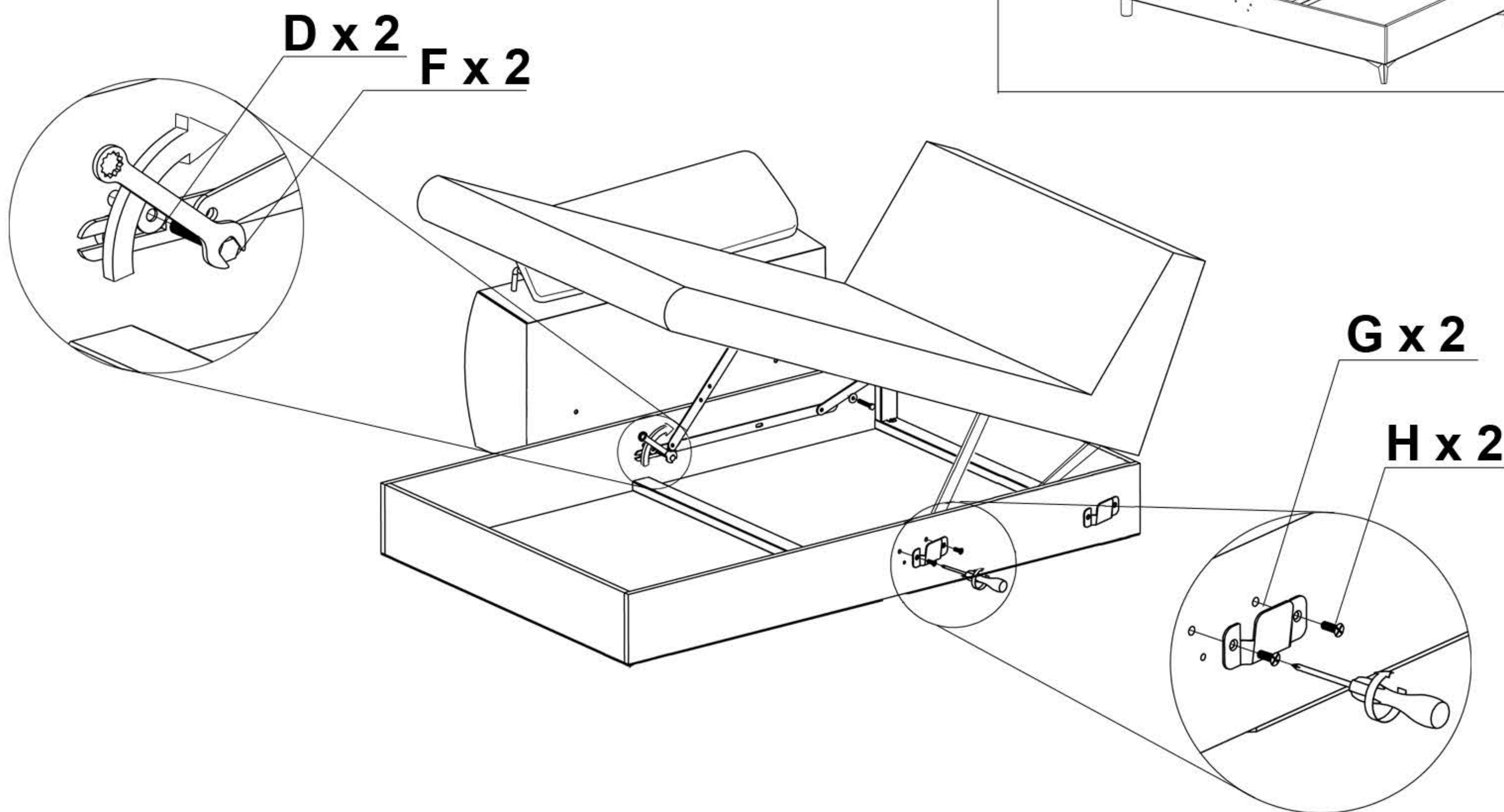


III.

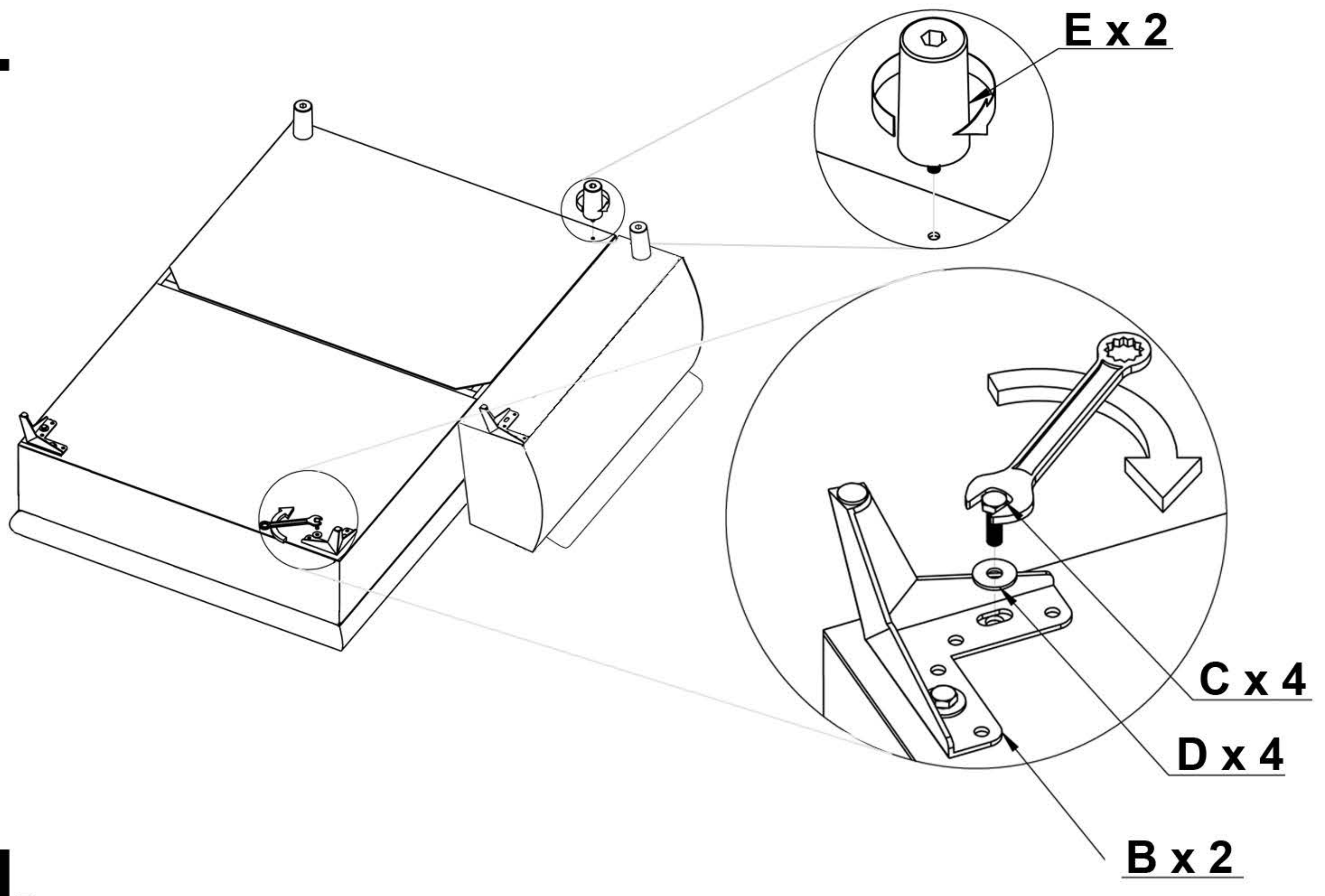


IV.

L



V.



VI.

